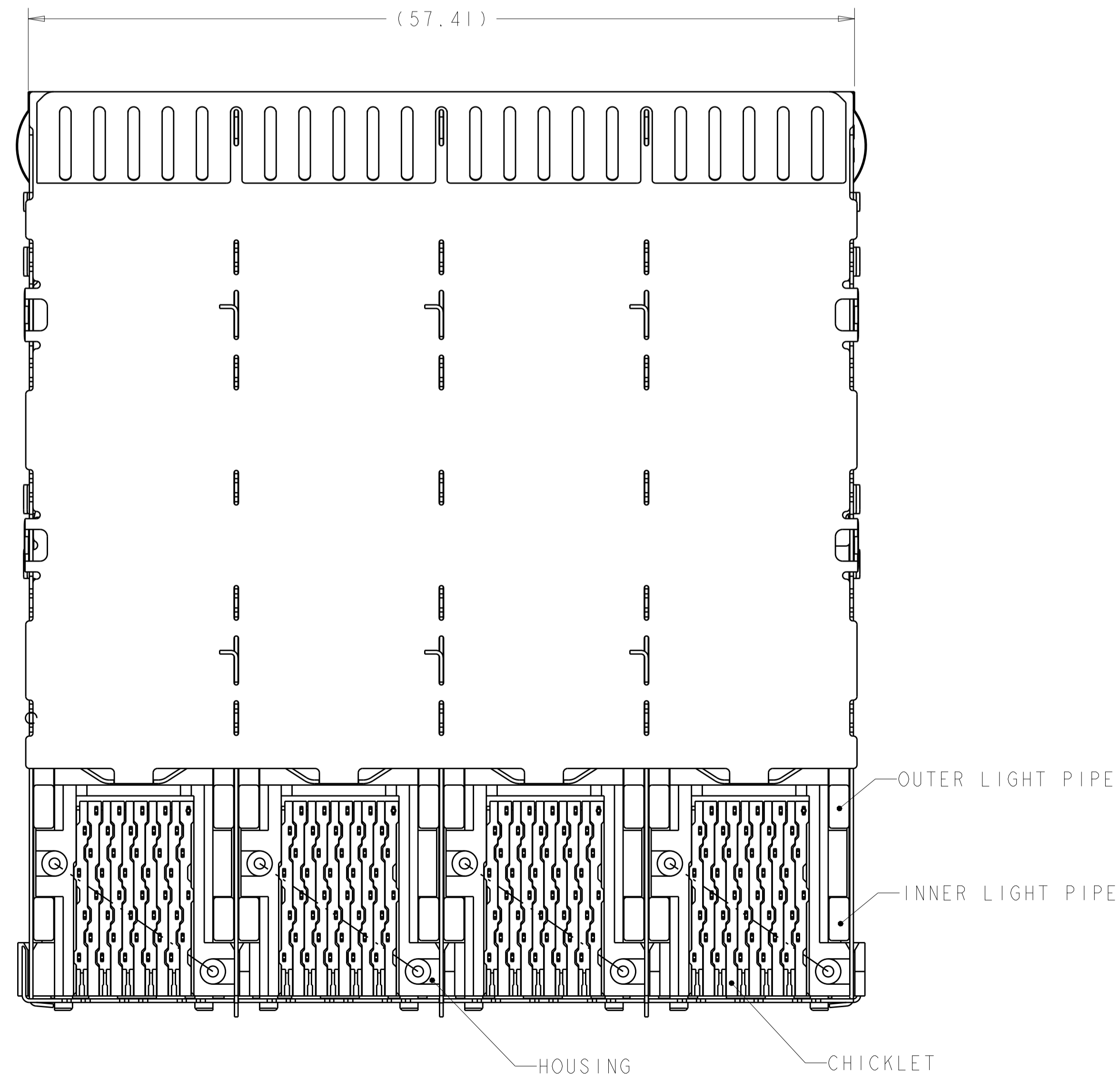
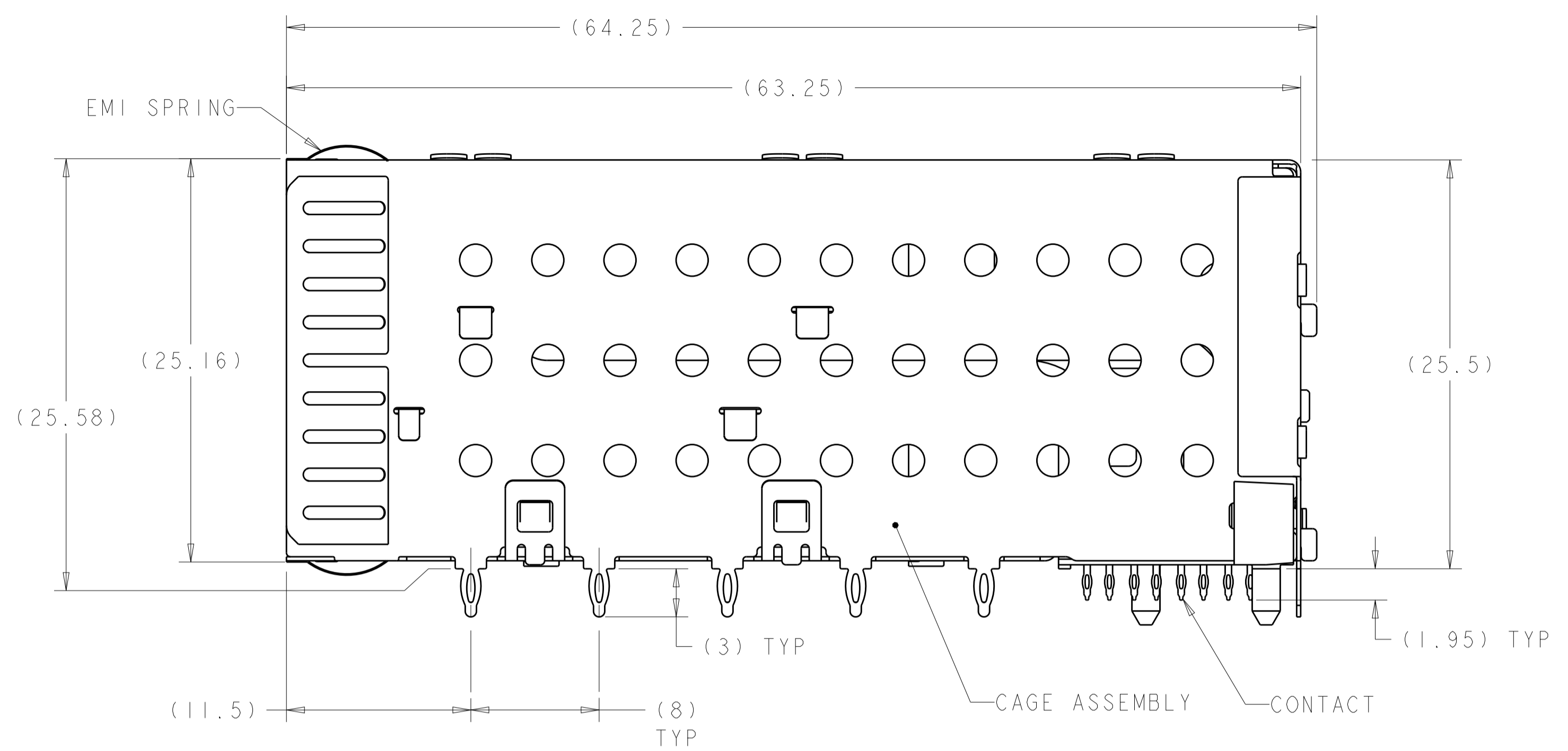
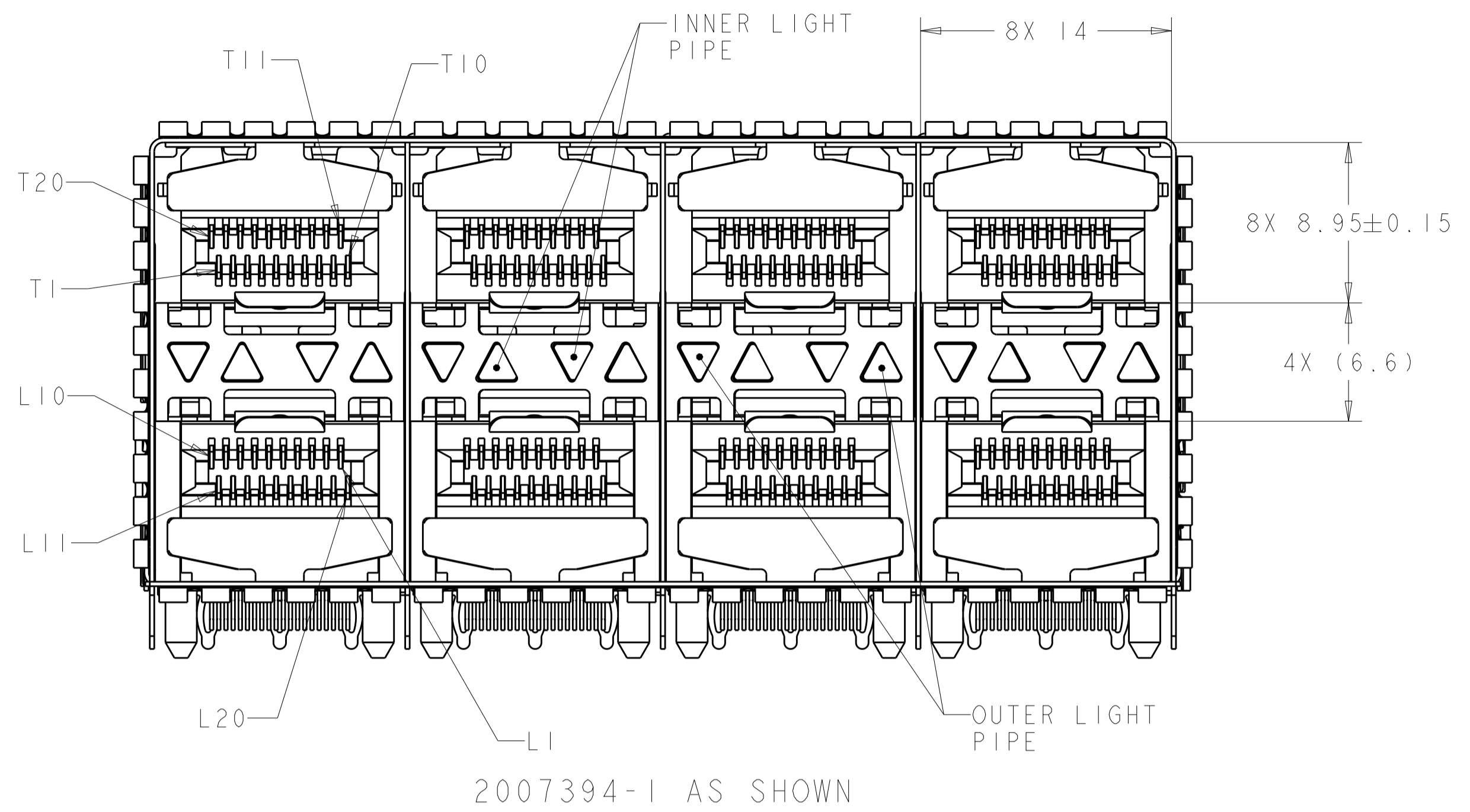


LOC	DIST	REV	DATE	BY	CHK	APPV
GP	00					

REVISIONS						
REV	DATE	BY	CHK	APPV	DESCRIPTION	
B1	11MAR2011	RK	HMR		REVISED PER ECO-11-004835	
C	11JAN2012	CJV	PAR		REVISED PER ECO-11-020849	
C1	10APR2013	CJV	PAR		REVISED PER ECO-13-003678	



- △ MATERIALS:
 CAGE ASSEMBLY- NICKEL SILVER ALLOY PER ASTM B 122.
 EMI SPRING- COPPER ALLOY.
 INSERT- PBT, BLACK, UL 94V-0.
 HOUSING- BLACK LCP, UL 94V-0 RATED.
 CHICKLET- BLACK LCP, UL 94V-0 RATED.
 LIGHT PIPE- POLYCARBONATE, CLEAR.
 CONTACT- COPPER ALLOY.
- △ DATUM AND BASIC DIMENSIONS ESTABLISHED BY CUSTOMER.
- 3. MINIMUM PCB THICKNESS OF 1.5.
- △ CONTACT FINISH: CONFORMS TO THE REQUIREMENTS OF TE CONNECTIVITY PRODUCT SPECIFICATION 108-2331, BASED ON EIA/ECA-364-1000.01A, (CONTROLLED ENVIRONMENT APPLICATIONS) ON MATING INTERFACE, TIN-LEAD ON NEEDLE EYE.
- △ CONTACT FINISH: CONFORMS TO THE REQUIREMENTS OF TE CONNECTIVITY PRODUCT SPECIFICATION 108-2331, BASED ON EIA/ECA-364-1000.01A, (CONTROLLED ENVIRONMENT APPLICATIONS) ON MATING INTERFACE, TIN ON NEEDLE EYE.

- △ FOR HOLE SIZE AND PLATINGS, SEE APPLICATION SPEC 114-13219.
- △ THE ENTIRE AREA OF THE CONNECTOR FOOTPRINT, INDICATED BY THE DASHED LINE, TO BE CONSIDERED THE KEEPOUT AREA FOR COMPONENTS AND SIGNAL TRACES, TOP SIDE ONLY. TOP SIDE TRACES ALLOWED WITHIN CONNECTOR HOLE PATTERN.
- △ LIGHT PIPE PAD LAYOUT IS FOR 0805 LOW PROFILE LED PACKAGE WITH A HEIGHT OF 0.8mm.
- △ EMI SPRING FINISH: 0.8µm MINIMUM MATTE TIN OVER 0.8µm MINIMUM NICKEL, NONPLATED EDGES PERMISSIBLE.
- △ ADDITIONAL COMPONENT LOCATED WITHIN LATCH PLATE FOR EMI SUPPRESSION.

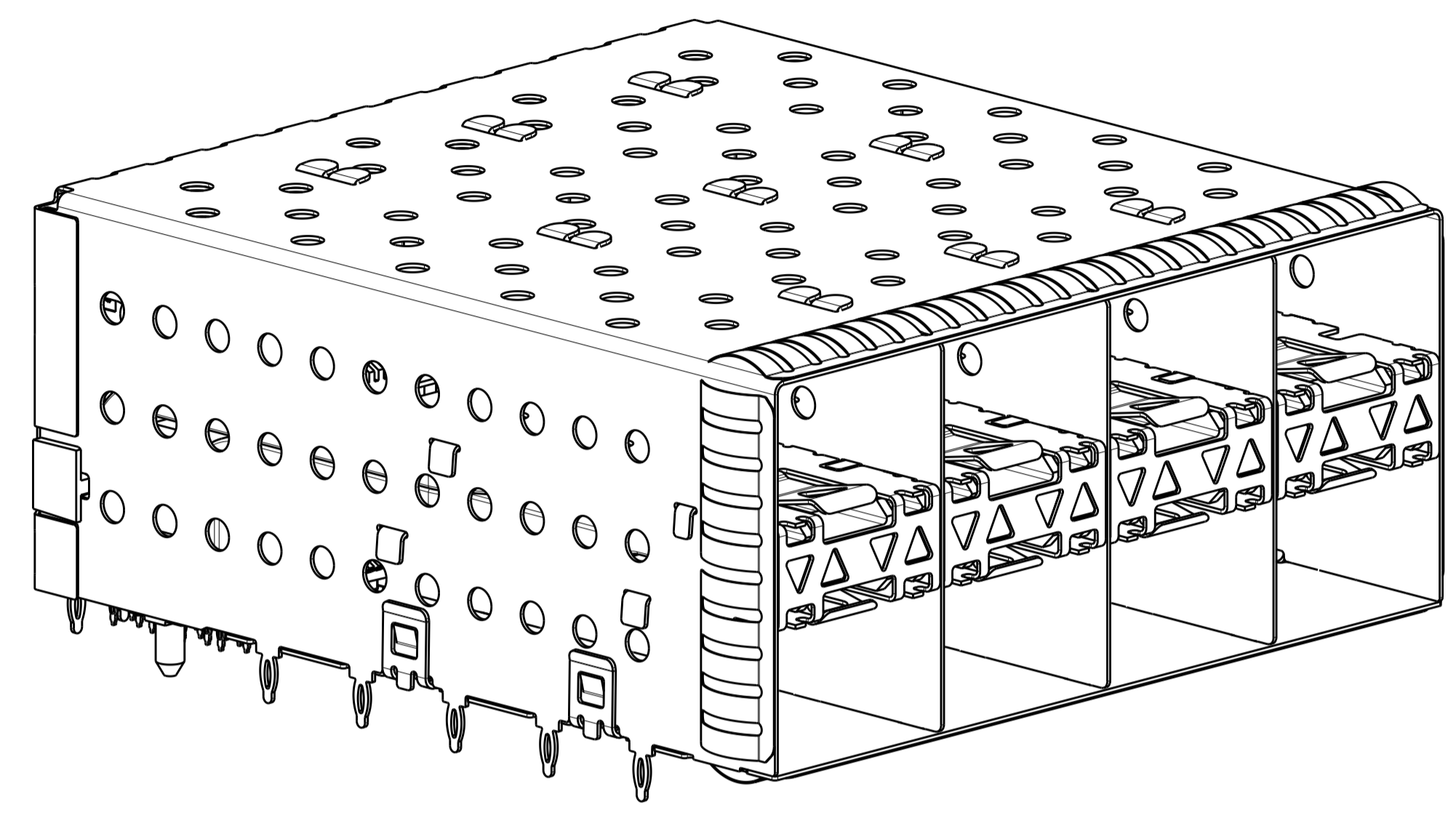
ENHANCED EMI	FINISH	DESCRIPTION	PART NUMBER
YES △10	△5	NO LIGHT PIPES	1-2007394-8
		OUTER 2 LIGHT PIPES	1-2007394-7
		INNER 2 LIGHT PIPES	1-2007394-6
NO	△5	4 LIGHT PIPES	1-2007394-5
		NO LIGHT PIPES	2007394-8
		OUTER 2 LIGHT PIPES	2007394-7
NO	△4	INNER 2 LIGHT PIPES	2007394-6
		4 LIGHT PIPES	2007394-5
		NO LIGHT PIPES	2007394-4
		OUTER 2 LIGHT PIPES	2007394-3
		INNER 2 LIGHT PIPES	2007394-2
		4 LIGHT PIPES	2007394-1

THIS DRAWING IS A CONTROLLED DOCUMENT. DIMENSIONING AND TOLERANCING PER ASME Y14.5M-2009. DIMENSIONS: mm. TOLERANCES UNLESS OTHERWISE SPECIFIED: 0 PLC ±0.10, 1 PLC ±0.10, 2 PLC ±0.10, 3 PLC ±0.10, 4 PLC ±0.10, ANGLES ±°. MATERIAL: △1. FINISH: △4 △5 △9.

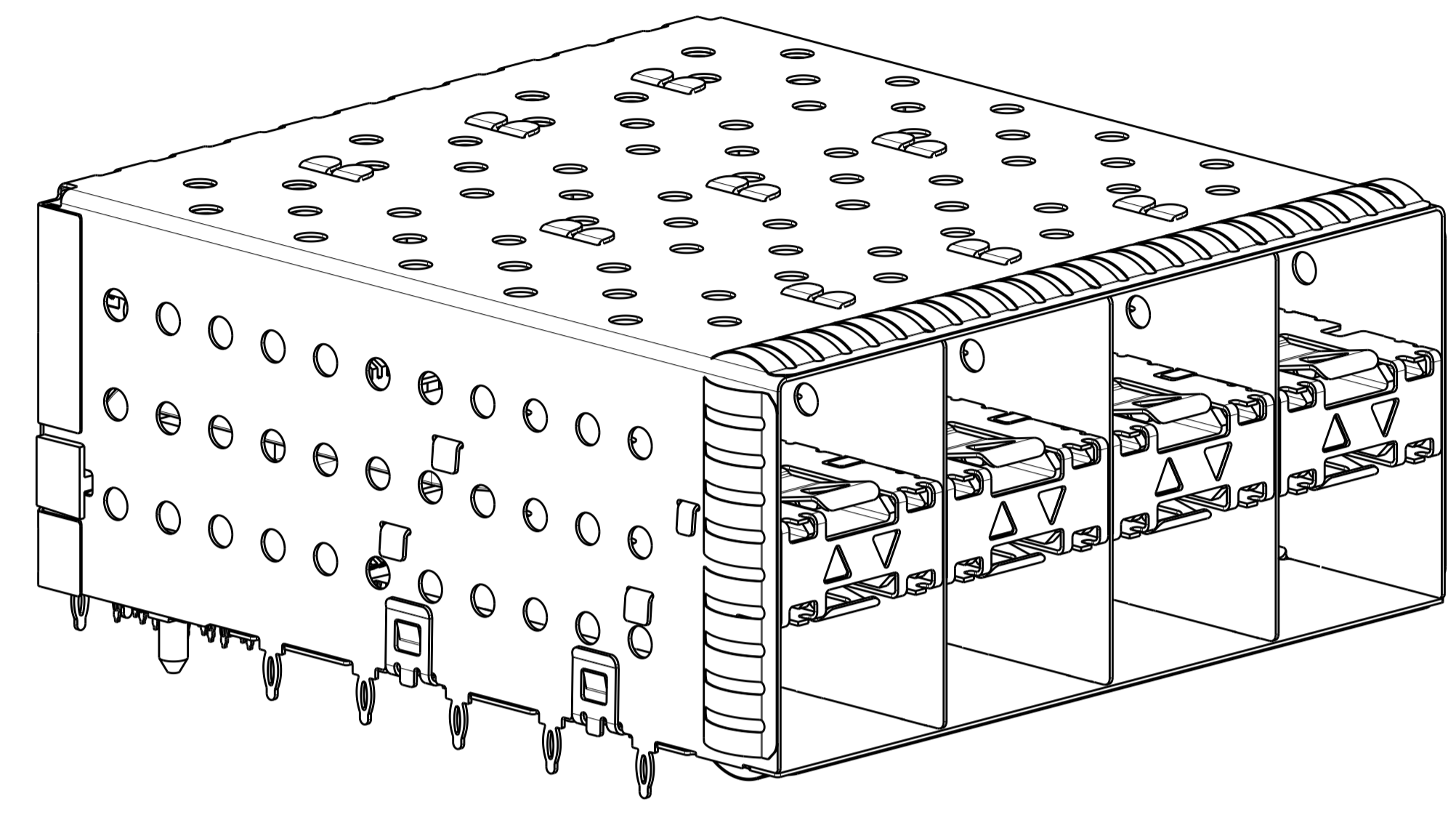
APPROVED: D. SZCZESNY, 10OCT2007. PRODUCT SPEC: 108-2331. APPLICATION SPEC: 114-13219. WEIGHT: -. CUSTOMER DRAWING.

STE TE Connectivity. NAME: CAGE AND PT CONNECTOR ASSEMBLY, WITH EMI SPRINGS, PRESS FIT, 2X4, STACKED SFP+. SIZE: A100779. CAGE CODE: 2007394. DRAWING NO: 100779. SCALE: 4:1. SHEET 1 OF 4. REV C1.

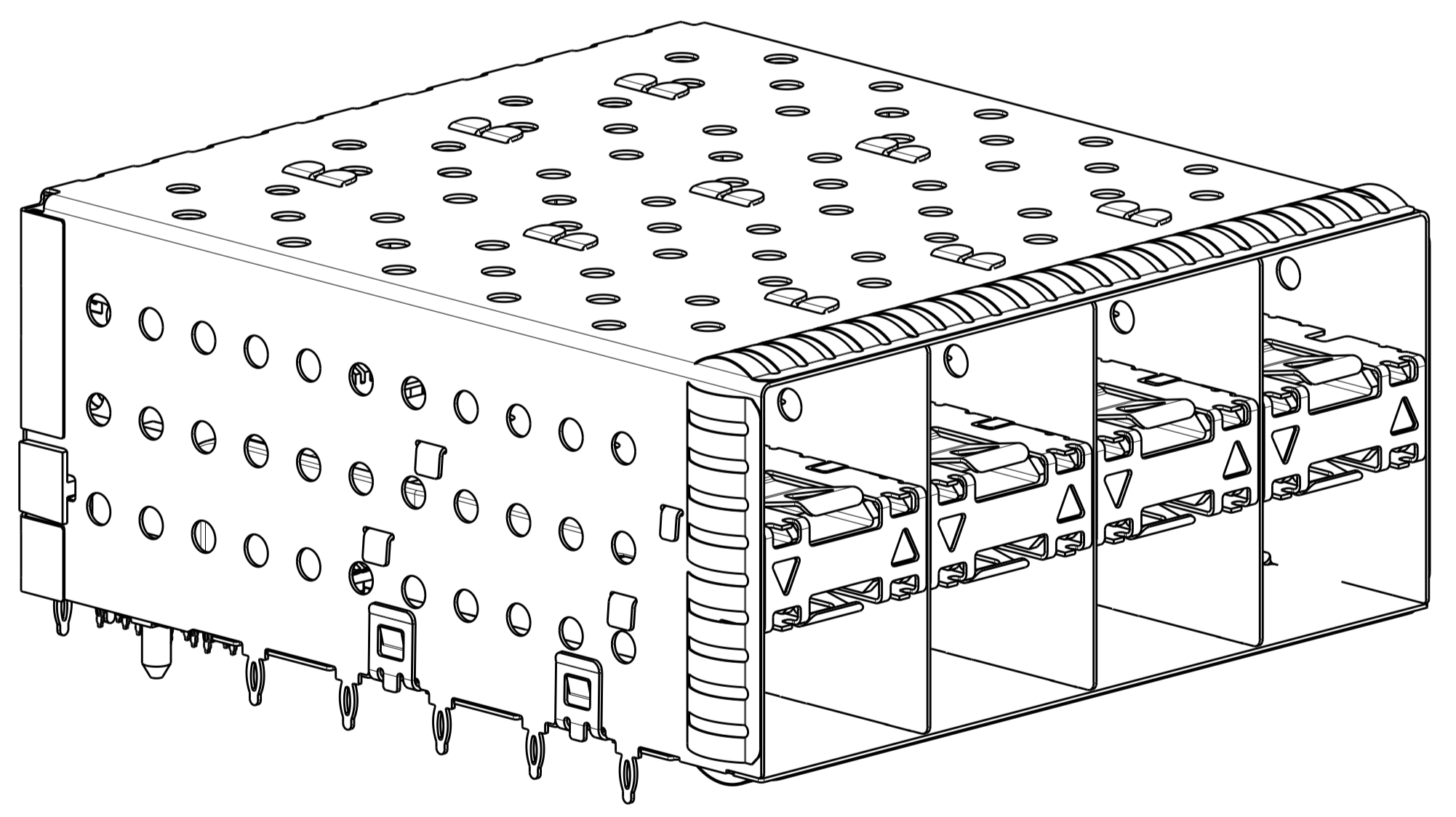
LOC		DIST		REVISIONS			
GP	00	P	LYR	DESCRIPTION	DATE	DWN	APVD
		-		SEE SHEET 1			



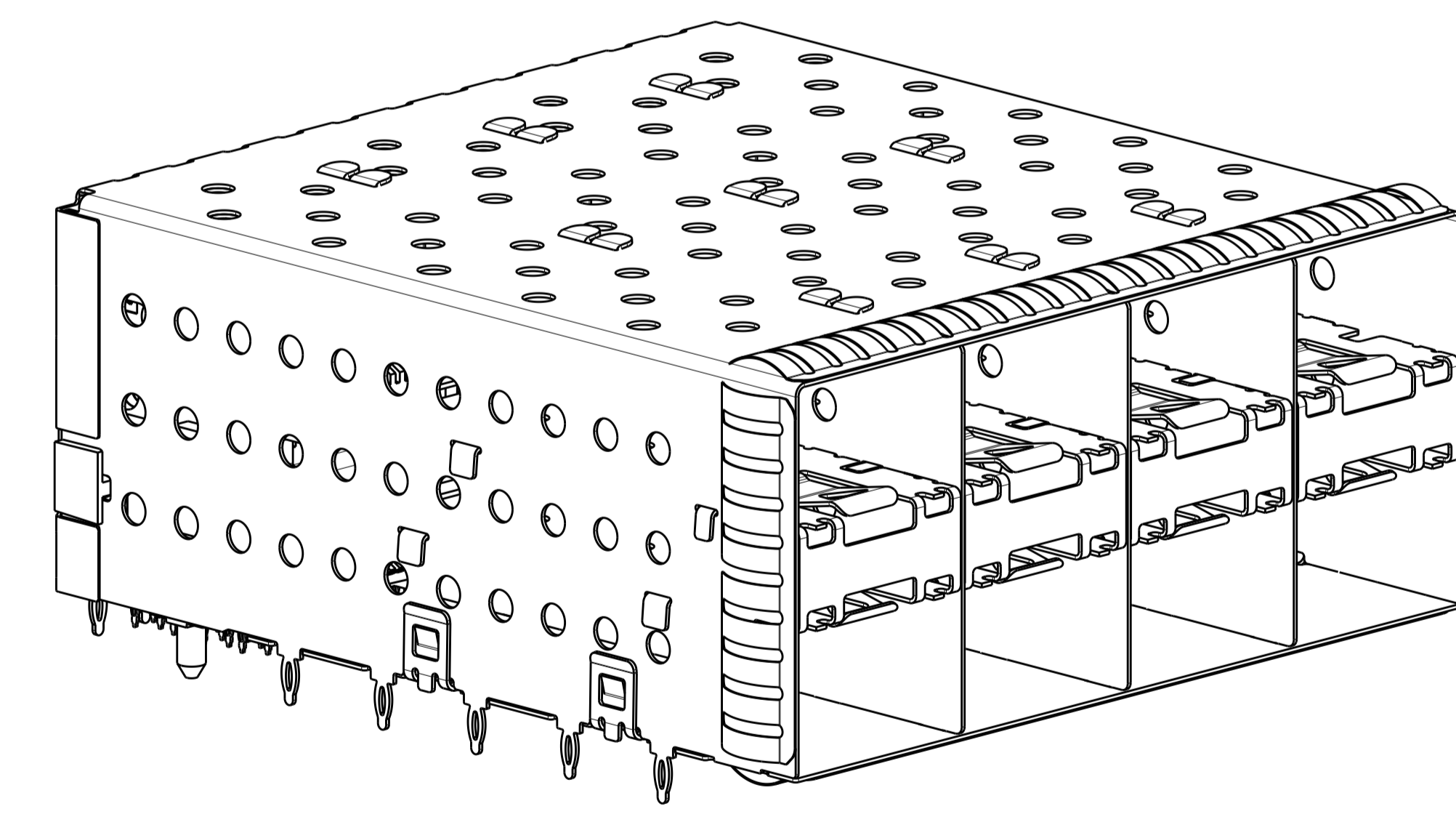
2007394-1, 2007394-5 AND 1-2007394-5
 SCALE 3:1



2007394-2, 2007394-6 AND 1-2007394-6
 SCALE 3:1



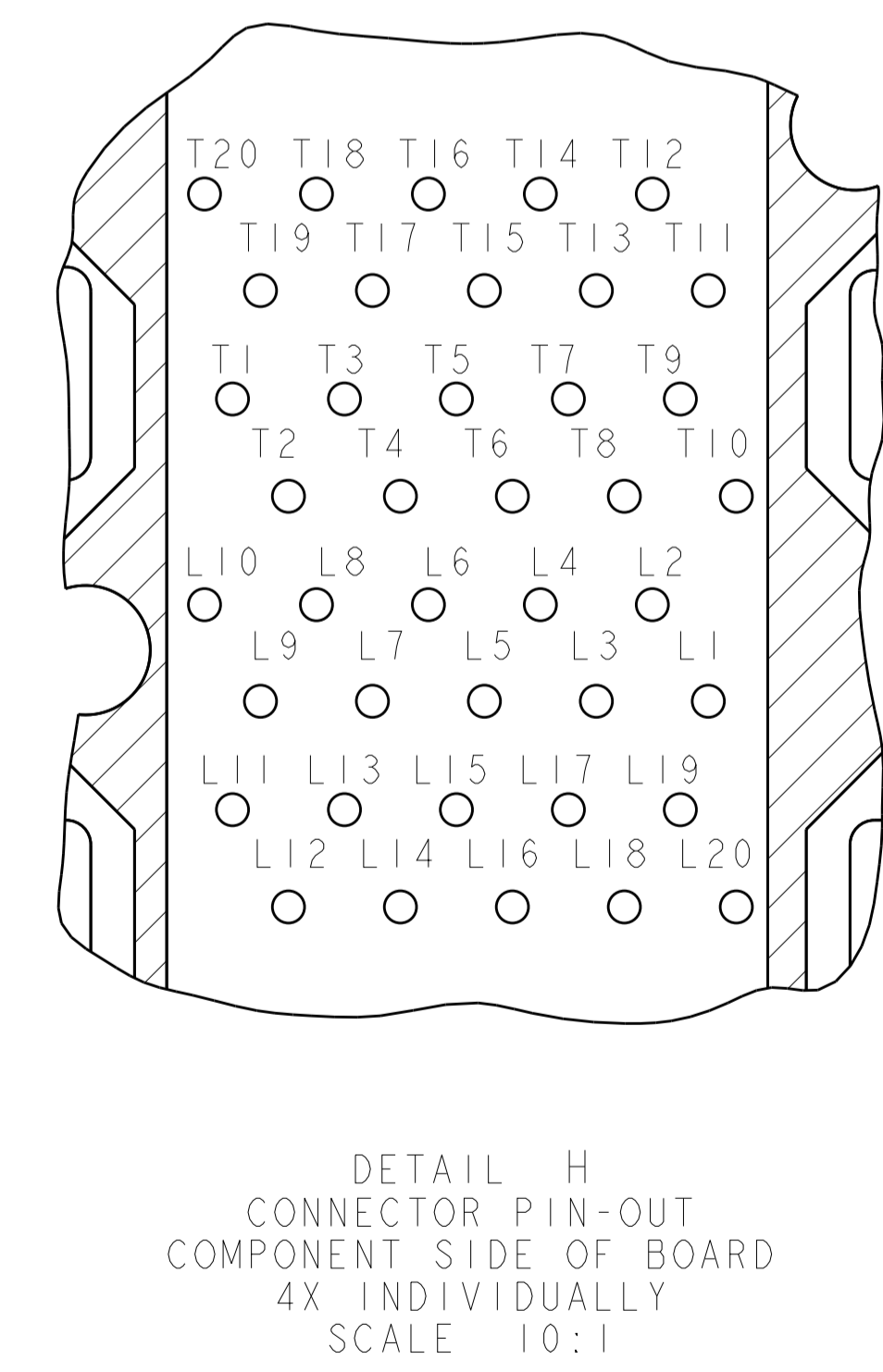
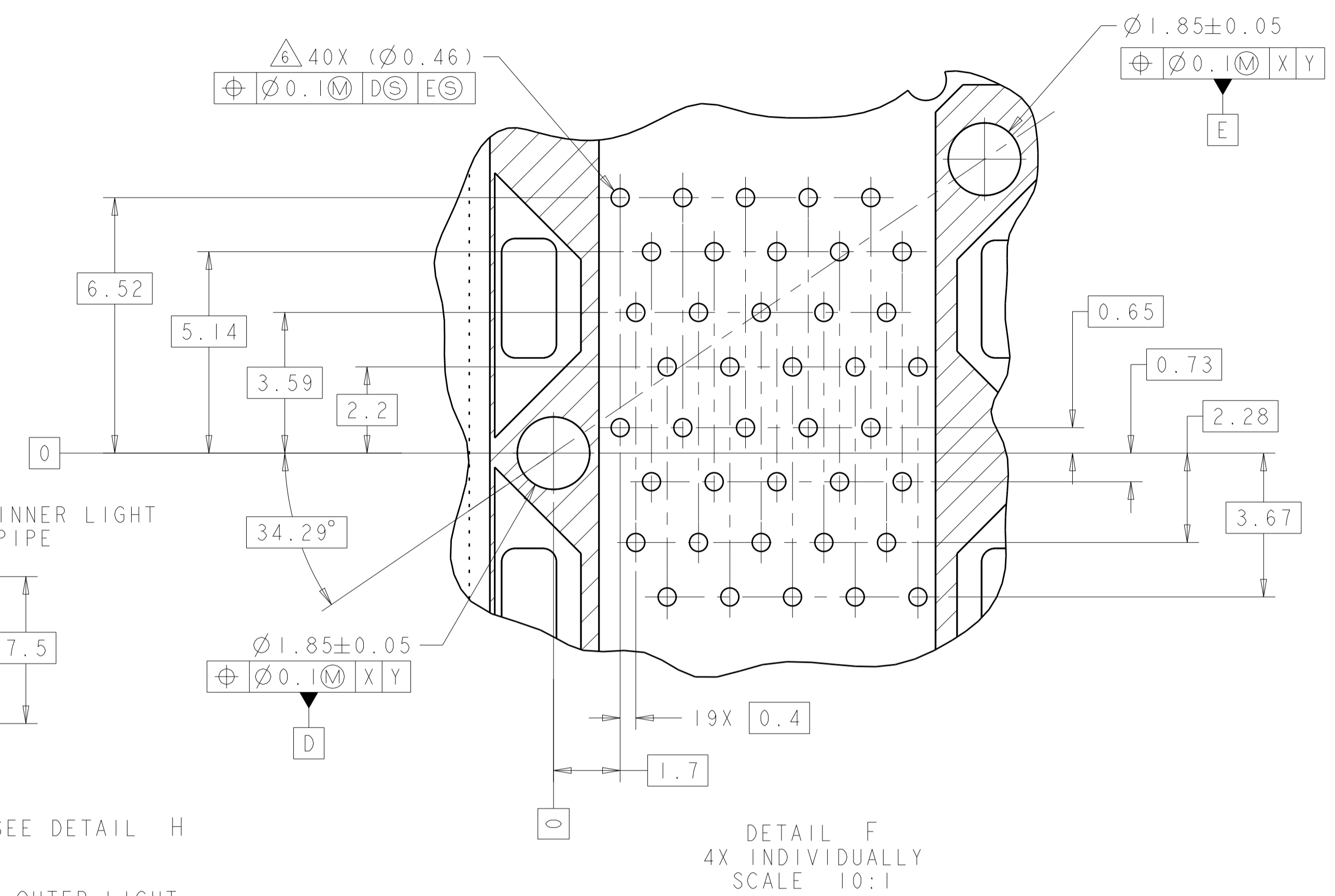
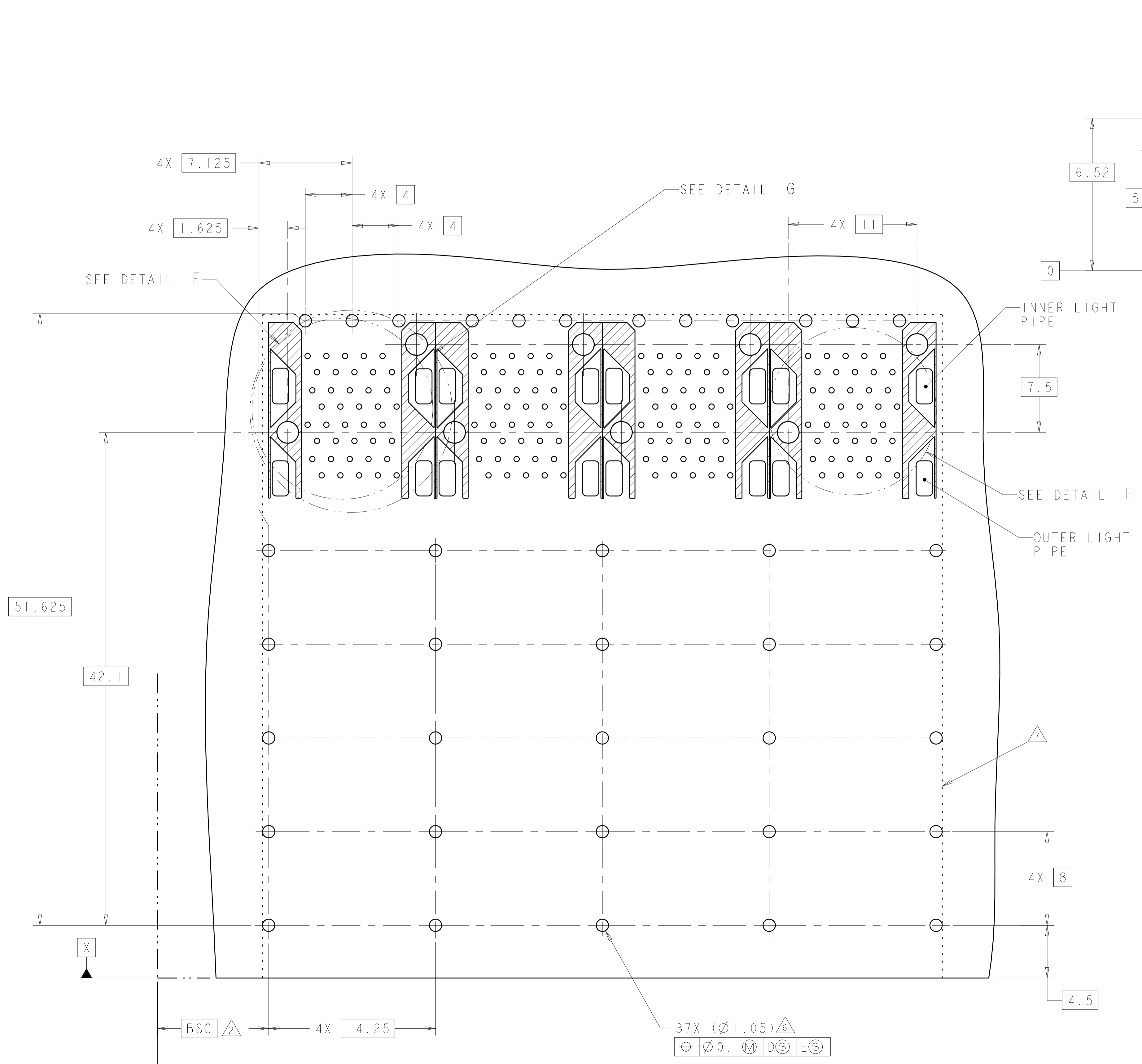
2007394-3, 2007394-7 AND 1-2007394-7
 SCALE 3:1



2007394-4, 2007394-8 AND 1-2007394-8
 SCALE 3:1

THIS DRAWING IS A CONTROLLED DOCUMENT. DIMENSIONING AND TOLERANCING PER ASME Y14.5M-2009		DWN M. SHIRK CHK D. SZCZESNY APVD D. SZCZESNY	10OCT2007 10OCT2007 10OCT2007	TE Connectivity NAME CAGE AND PT CONNECTOR ASSEMBLY, WITH EMI SPRINGS, PRESS FIT, 2X4, STACKED SFP+	
DIMENSIONS: mm 		TOLERANCES UNLESS OTHERWISE SPECIFIED: 0 PLC ±0.10 1 PLC ±0.10 2 PLC ±0.10 3 PLC ±0.10 4 PLC ±0.10 ANGLES ±° FINISH	PRODUCT SPEC 108-2331 APPLICATION SPEC 114-13219 WEIGHT CUSTOMER DRAWING		SIZE A1 CAGE CODE 100779 DRAWING NO. ©=2007394

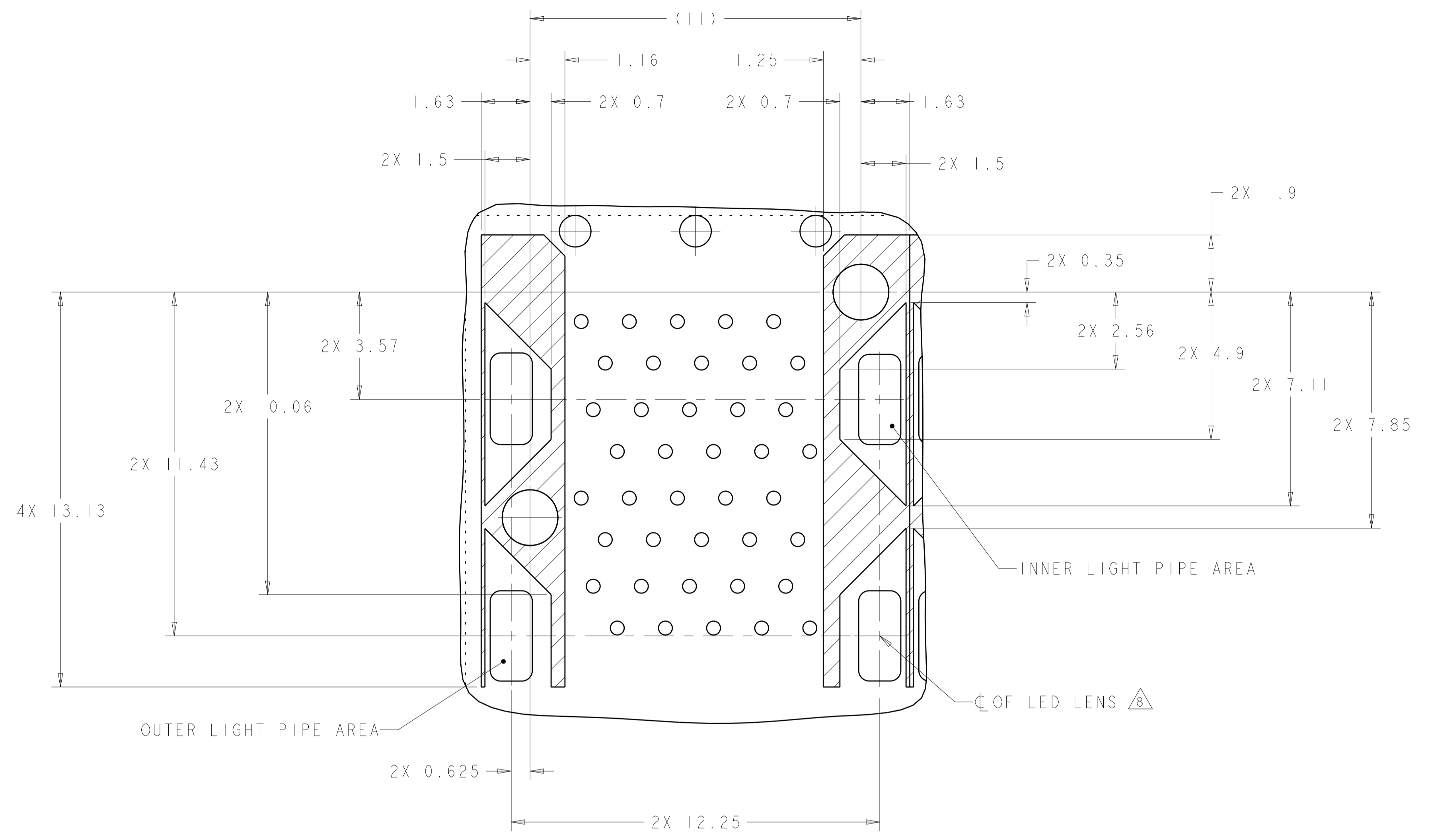
LOC		DIST		REVISIONS			
GP	00	P	LTH	DESCRIPTION	DATE	DMN	APVD
		-	-	SEE SHEET 1	-	-	-



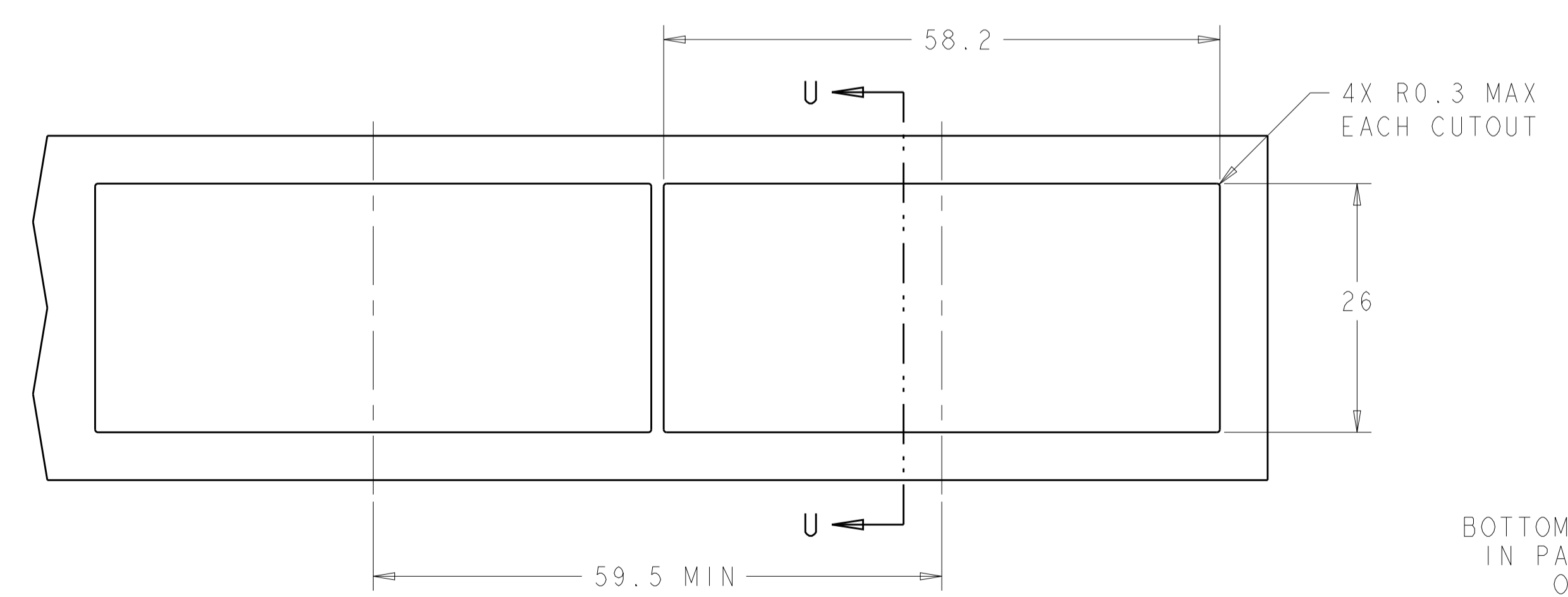
RECOMMENDED PCB LAYOUT
 COMPONENT SIDE OF BOARD
 SCALE 5:1

THIS DRAWING IS A CONTROLLED DOCUMENT. DIMENSIONING AND TOLERANCING PER: ASME Y14.5M-2009		DMN: M. SHIRK 10OCT2007	TE Connectivity
TOLERANCES UNLESS OTHERWISE SPECIFIED:		CHK: D. SZCZESNY 10OCT2007	
DIMENSIONS:	mm	APVD: D. SZCZESNY 10OCT2007	NAME: CAGE AND PT CONNECTOR ASSEMBLY, WITH EMI SPRINGS, PRESS FIT, 2X4, STACKED SFP+
0 PLC	±0.10	PRODUCT SPEC	SIZE: 108-2331
1 PLC	±0.10	APPLICATION SPEC	SCALE: 4:1
2 PLC	±0.10	114-13219	SHEET 3 OF 4
3 PLC	±0.10	WEIGHT	REV: C1
4 PLC	±0.10	CUSTOMER DRAWING	
ANGLES	±°		
FINISH			

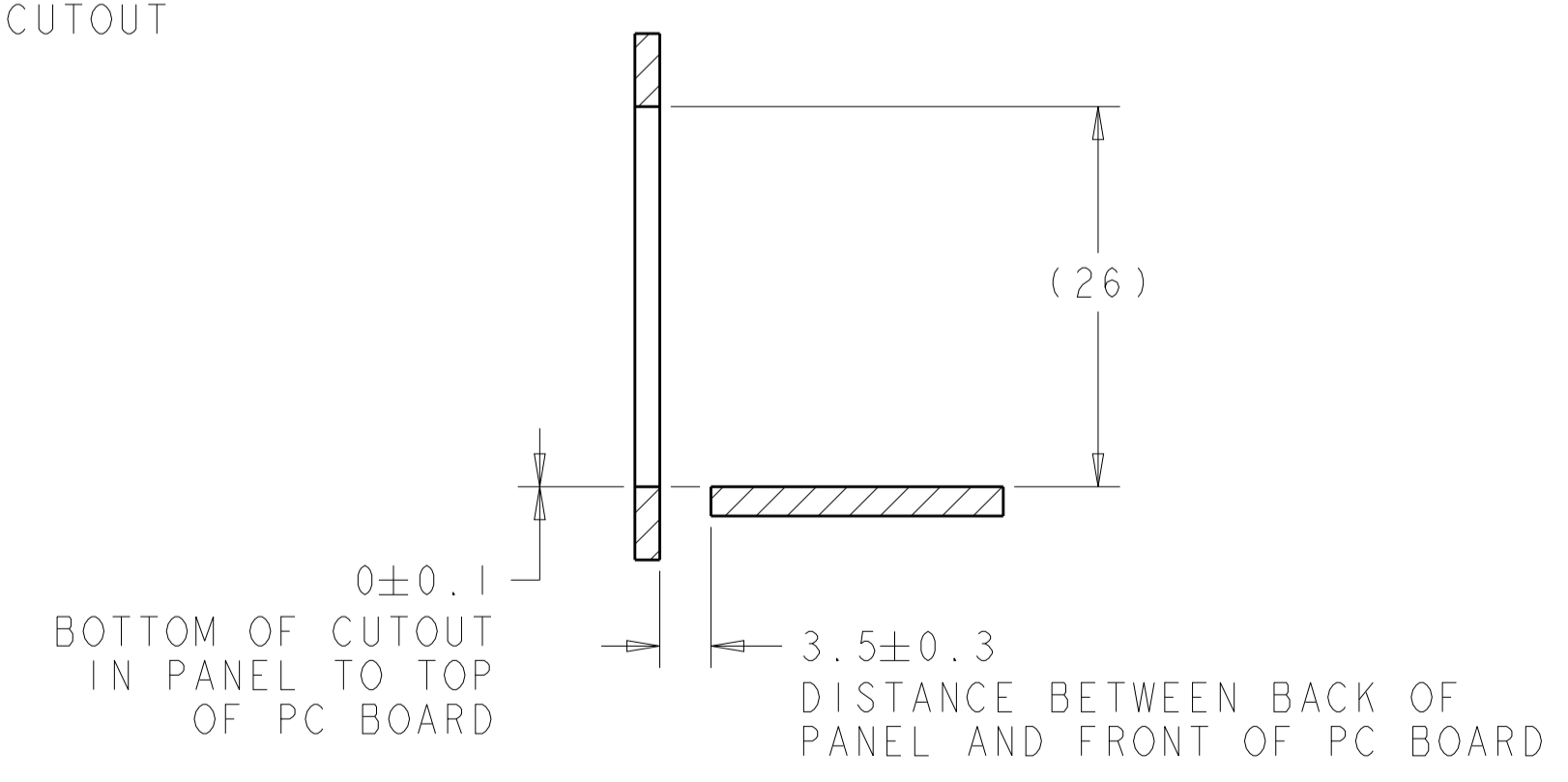
LOC	DIST	REV	DATE	BY	APPV
GP	00				
REVISIONS					



DETAIL G
 CONNECTOR HOUSING
 KEEP-OUT ZONE
 4X INDIVIDUALLY
 SCALE 10:1



RECOMMENDED PANEL CUTOUT
 AND PC BOARD, PANEL POSITION
 SCALE 2:1



SECTION U-U

THIS DRAWING IS A CONTROLLED DOCUMENT. DIMENSIONING AND TOLERANCING PER ASME Y14.5M-2009		DWN: M. SHIRK 10OCT2007	TE Connectivity
TOLERANCES UNLESS OTHERWISE SPECIFIED:		CHK: D. SZCZESNY 10OCT2007	
DIMENSIONS:	mm	APVD: D. SZCZESNY 10OCT2007	NAME: CAGE AND PT CONNECTOR ASSEMBLY, WITH EMI SPRINGS, PRESS FIT, 2X4, STACKED SFP+
0 PLC	±0.10	PRODUCT SPEC	SIZE: 114-13219
1 PLC	±0.10	APPLICATION SPEC	SCALE: 4:1
2 PLC	±0.10	WEIGHT	SHEET 4 OF 4
3 PLC	±0.10	CUSTOMER DRAWING	REV: C
4 PLC	±0.10		
ANGLES	±°		
FINISH			